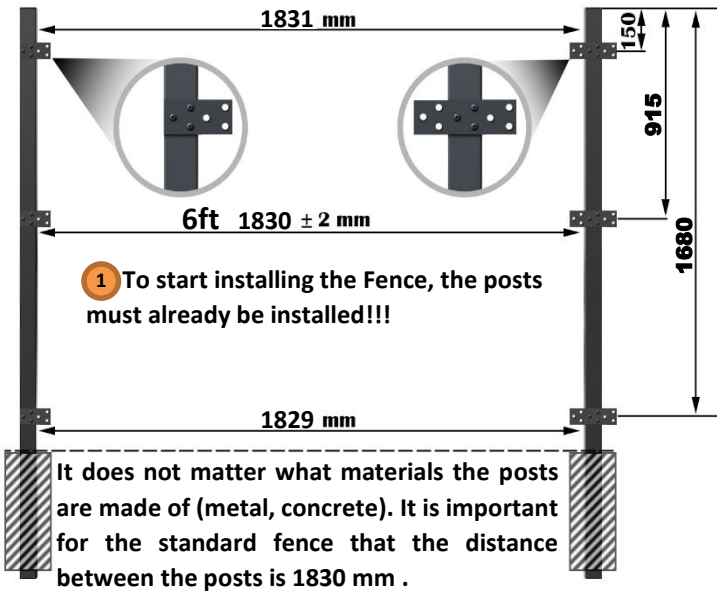
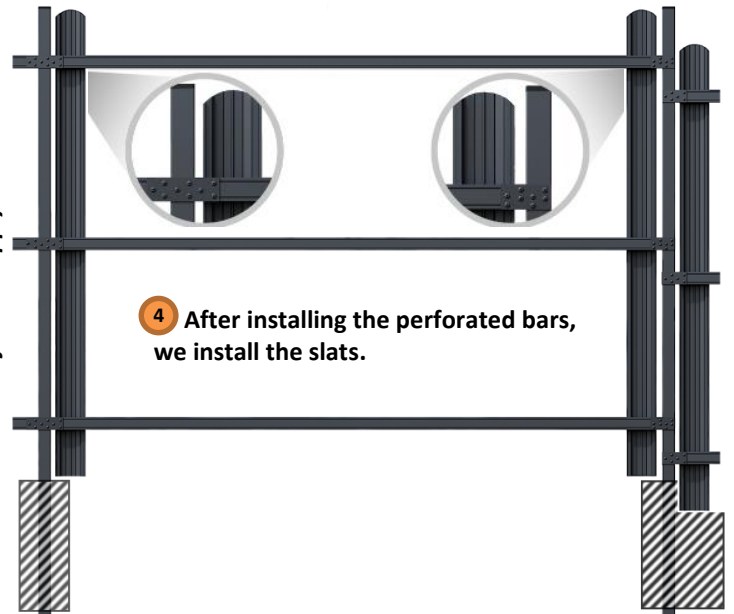
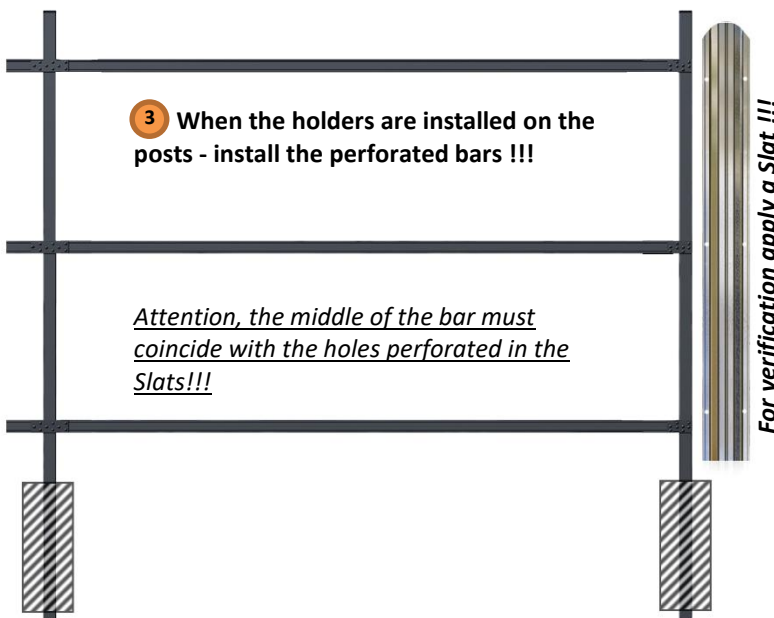
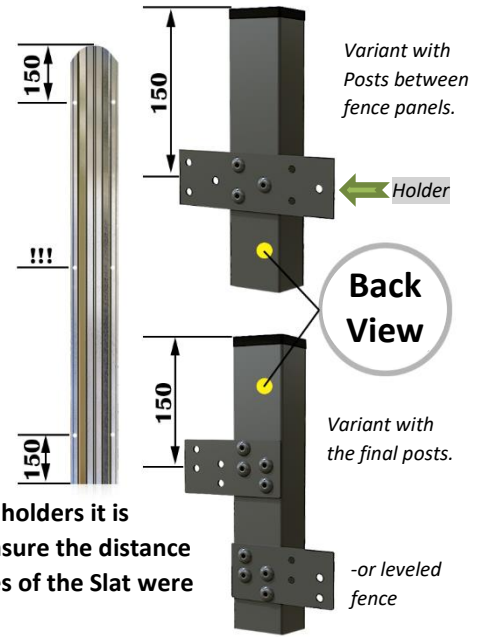


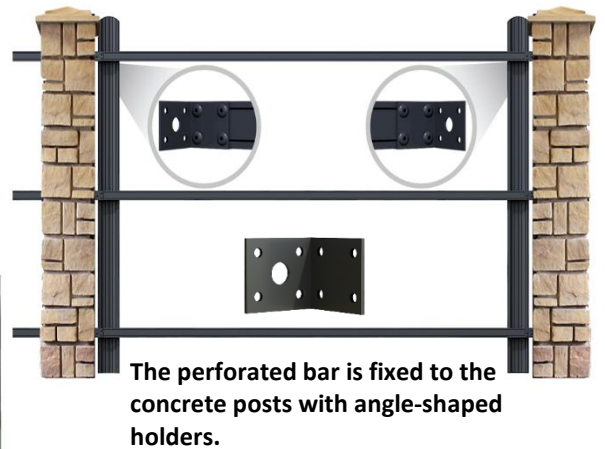
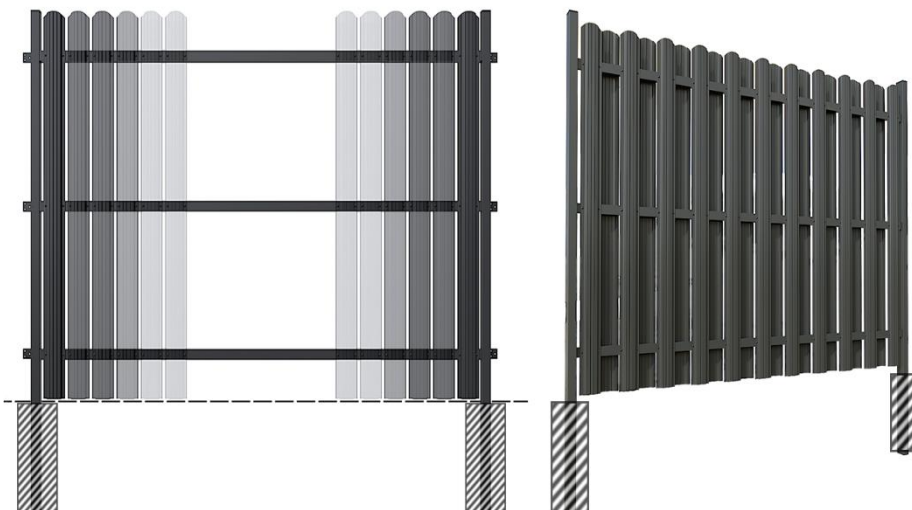
# Picket Fence Installation Instructions



**For Picket Fence with H-1830mm**  
 The distance is given to the middle of the holder



Depending on the model of the Fence, the Slats can be installed on one side of the Fence as well as on both sides !!!



Holder  
40x80



Holder  
40x120

